

**EDDA**

MACHINERY | INDUSTRIAL SYSTEMS

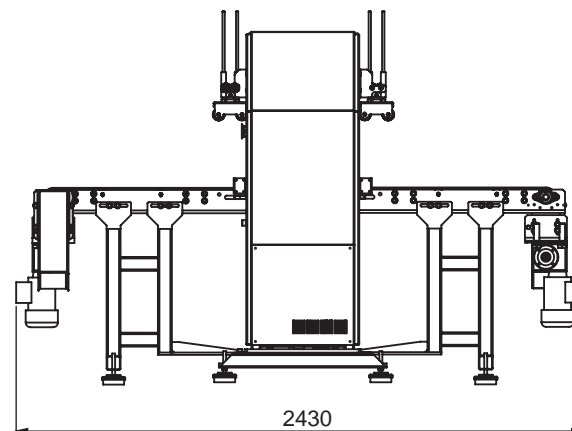
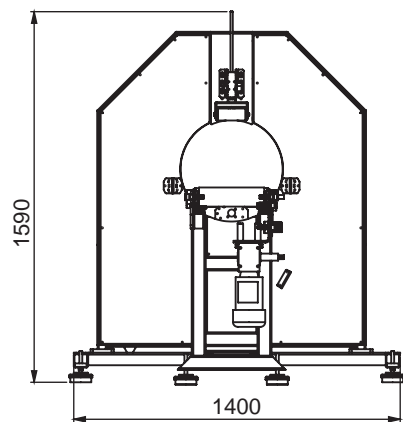
**WRAPPING MACHINES**

**SPINNER / SPINNER BN SERIES**

**WRAPPING MACHINES**

### FEATURES

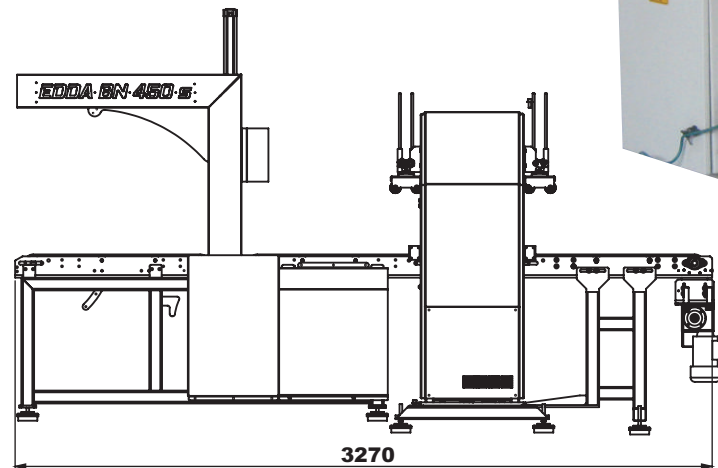
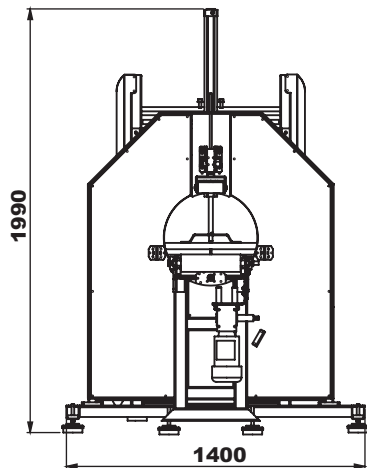
Stretch Film Width	10cm ?20cm
Recommended Film Thickness	17 $\mu$ , 23 $\mu$ , 25 $\mu$ PE/PVC Film
Operation Speed (Max.)	12 m/min
Product Dimensions to Wrap	25cm Width, 23cm Height (Max.)
Total Power	1,8 kW 3-Phases 380/400 Volts
Required Air Pressure	6 Bar (0.6MPa)





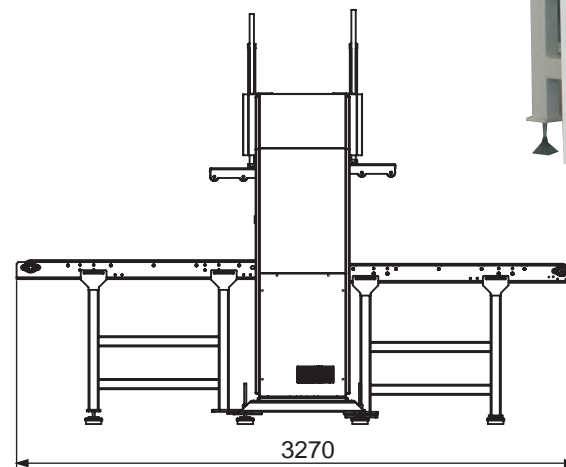
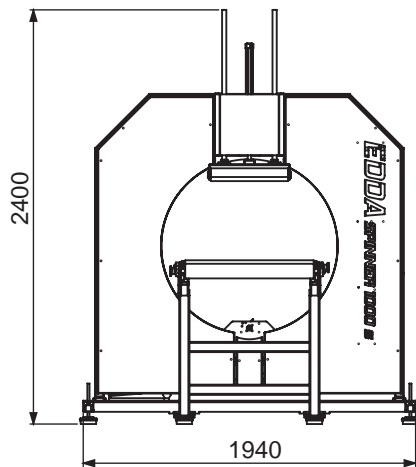
### FEATURES

Stretch Film Width	10cm ?20cm
Recommended Film Thickness	17 $\mu$ , 23 $\mu$ , 25 $\mu$ PE/PVC Film
Air Bubble Film Width	40cm (Max.)
Recommended Film Materials	PE Film, PE Foam Film, PE Air Bubble Film
Operation Speed (Max.)	12 m/min
Product Dimensions to Wrap	25cm Width, 23cm Height (Max.)
Total Power	2,6 kW 3-Phases 380/400 Volts
Required Air Pressure	6 Bar (0.6MPa)



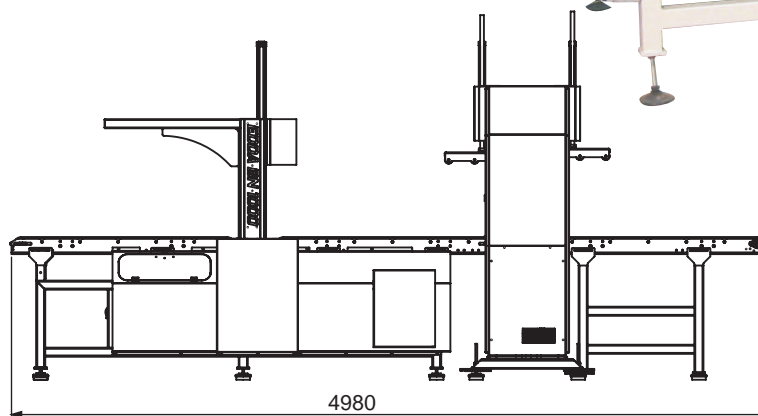
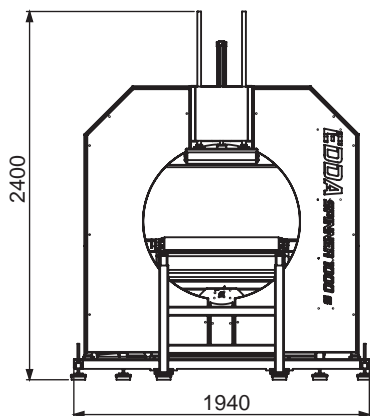
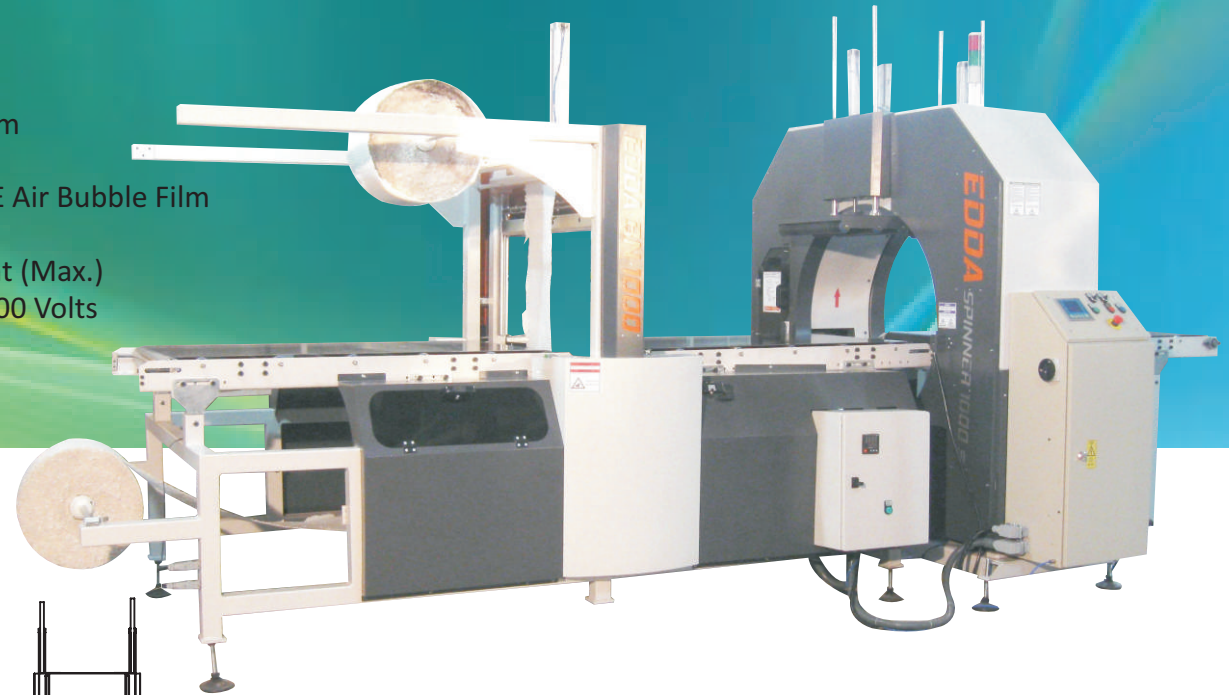
### FEATURES

Stretch Film Width	10cm ?20cm
Recommended Film Thickness	17 $\mu$ , 23 $\mu$ , 25 $\mu$ PE/PVC Film
Operation Speed (Max.)	10 m/min
Product Dimensions to Wrap	85cm Width, 45cm Height (Max.)
Total Power	2,2kW 3-Phases 380/400 Volts



### FEATURES

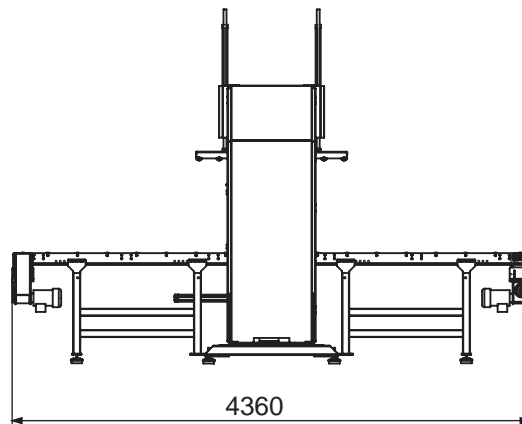
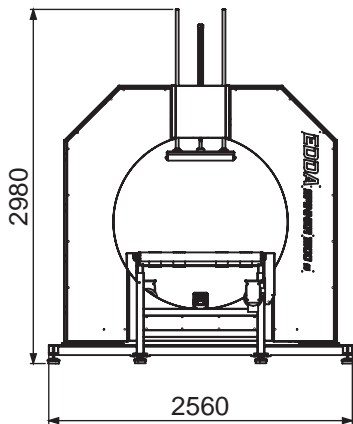
Stretch Film Width	10cm ?20cm
Recommended Film Thickness	17 $\mu$ , 23 $\mu$ , 25 $\mu$ PE/PVC Film
Air Bubble Film Width	90cm (Max.)
Recommended Film Materials	PE Film, PE Foam Film, PE Air Bubble Film
Operation Speed (Max.)	10 m/min
Product Dimensions to Wrap	85cm Width, 45cm Height (Max.)
Total Power	3,2kW 3-Phases 380/400 Volts
Required Air Pressure	6 Bar (0.6MPa)





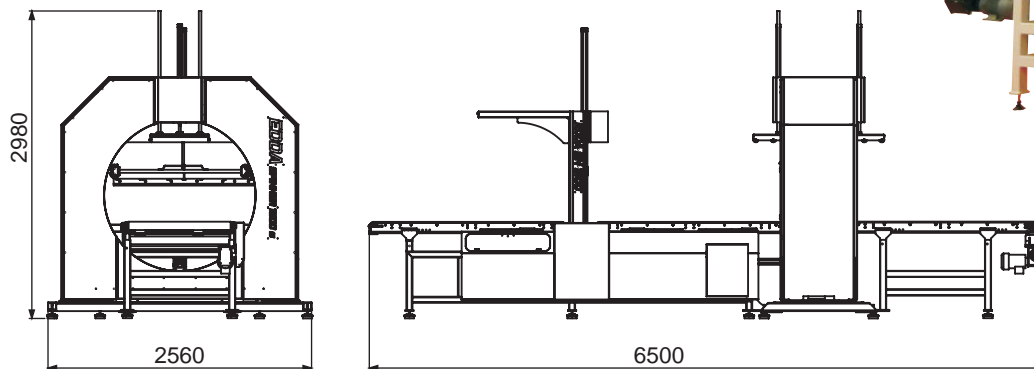
### FEATURES

Stretch Film Width	17cm ?25cm
Recommended Film Thickness	17 $\mu$ , 23 $\mu$ , 25 $\mu$ PE/PVC Film
Operation Speed (Max.)	10 m/min
Product Dimensions to Wrap	135cm Width, 80cm Height (Max.)
Total Power	3,7kW 3-Phases 380/400 Volts
Required Air Pressure	6 Bar (0.6MPa)



### FEATURES

Stretch Film Width	17cm ?25cm
Recommended Film Thickness	17 $\mu$ , 23 $\mu$ , 25 $\mu$ PE/PVC Film
AirBubble Film Width	135cm (Max.)
Recommended Film Materials	PE Film, PE Foam Film, PE Air Bubble Film
Operation Speed (Max.)	10 m/min
Product Dimensions to Wrap	130cm Width, 45cm Height (Max.)
Total Powers	4,2 kW 3-Phases 380/400 Volts
Required Air Pressure	6 Bar (0.6MPa)







**EDDA**

MACHINERY | INDUSTRIAL SYSTEMS

Kayapa Yolu 5. Km 35 Sk.No:18/1  
Yaylaçık -Nilüfer / BURSA

Tel. : +90 224 441 23 41  
Fax : +90 224 441 03 65

info@eddamakine.com  
www.eddamakine.com